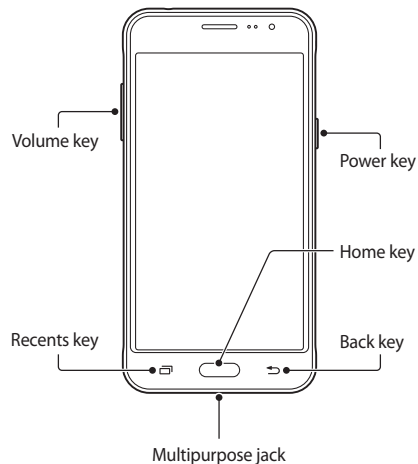


QUICK START GUIDE

SM-J320W8

Device layout

To turn on the device, press and hold the Power key for a few seconds.



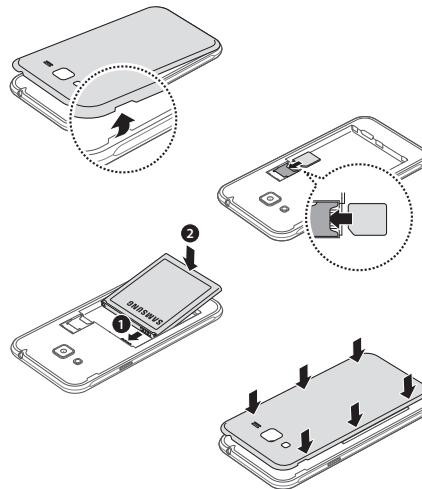
Accessing more information

Visit www.samsung.com/ca to view device information, the user manual, and more.

- The user manual may not be available depending on the web browser or service provider.
- You may incur additional charges for accessing the Internet.

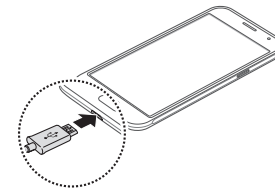
Installing the SIM or USIM card and battery

- Only nanoSIM cards work with the device.
- Do not insert a memory card into the SIM card slot.



Charging the battery

Before using the device for the first time, you must charge the battery.



- The charger should remain close to the electric socket and easily accessible while charging.

To transfer data of the previous device to a new device: Visit www.samsung.com/smarts witch for more information.

Some content may differ from your device depending on the region, service provider, or software version, and is subject to change without prior notice.

Copyright © 2016 Samsung Electronics

SAMSUNG

Printed in China
GH68-46425A Rev.1.1
English (CA). 08/2016



Correct disposal

Samsung cares for the environment and encourages its customers to recycle Samsung mobile devices and genuine Samsung accessories, and other unwanted electronics, in accordance with local regulations and through an approved recycler.

Proper disposal of your mobile device and its internal Li-ion battery is not only important for safety, it benefits the environment. For safe disposal options of your device, contact your nearest service center.

Note: For safety,



- Do not handle the device if the battery is damaged or leaking
- Never dispose of the device in a fire because the battery may explode.

Safety information

Read all safety information before using the device to ensure safe and proper use.



Warning

Follow the warning information provided below to prevent incidents such as fire or explosion

- Do not expose the device to physical impact or damage.
 - Do not carry your device in your back pockets or on your waist.
 - Store spare batteries in an appropriate protective case.
- Use manufacturer-approved batteries, chargers, accessories, and supplies.
- Prevent the multipurpose jack and battery terminals from contacting conductive elements, such as metal or liquids.
- Do not touch the device with wet hands. Also, do not use the device in humid environments, such as rest rooms, or during water-based activities, such as swimming.

- If any part of the device is cracked or broken, stop using the device immediately and take it to a Samsung Service Centre.
- Do not turn on or use the device when the battery compartment is exposed.

Follow the warnings below to prevent injury to people or damage to the device

- Do not allow children or animals to chew or suck the device.
- Do not poke eyes, ears, or other body parts with the device or insert the device into the mouth.
- If the device has a camera flash or light, do not use it close to the eyes of people or animals.
- The device can be used in locations with an ambient temperature of 0°C to 35°C. You can store the device at an ambient temperature of -20°C to 50°C. Using or storing the device outside of the recommended temperature ranges may damage the device or reduce the battery's lifespan.
- Do not store your device near or in heaters, microwaves, cooking equipment, or high pressure containers.
- Keep your device dry.
- Do not use your device outdoor during a thunderstorm.
- Comply with all safety warnings and regulations regarding mobile device usage while operating a vehicle.



To prevent possible hearing damage when using a headset, do not listen to sound at high volume for long periods.

To view the full safety information, tap **Apps** → **Settings** → **About device** → **Legal information** → **Safety information**.

Acknowledging Special Precautions and Industry Canada Notice

Cautions

Any changes or modifications to your phone not expressly approved by Samsung could void your warranty for this equipment, and void your authority to operate this equipment. Only use approved batteries, antennas, and chargers. The use of any unauthorized accessories may be dangerous and void the phone warranty if said accessories cause damage or a defect to the phone.

Although your phone is quite sturdy, it is a complex piece of equipment and can be broken. Avoid dropping, hitting, bending, or sitting on it.

Information to User

This equipment has been tested and found to comply with the limits of a Class B digital device. These limits are designed to provide reasonable protection against harmful interference in a residential installation. This equipment generates, uses, and can radiate radio frequency energy and, if not installed and used in accordance with the instructions, may cause harmful interference to radio communications. However, there is no guarantee that interference will not occur in a particular installation; if this equipment does cause harmful interference to radio or television reception, which can be determined by turning the equipment off and on, the user is encouraged to try to correct the interference by one or more of the following measures:

- Reorient/relocate the receiving antenna.
- Increase the separation between the equipment and receiver.
- Connect the equipment into an outlet on a circuit different from that to which the receiver is connected.
- Consult the dealer or an experienced radio/TV technician for help.

Specific Absorption Rate (SAR) certification information

Your device conforms to Industry Canada standards that limit human exposure to radio frequency (RF) energy emitted by radio and telecommunications equipment. These standards prevent the sale of mobile devices that exceed a maximum exposure level (known as the Specific Absorption Rate, or SAR) of 1.6 W/kg. SAR information on this and other model devices can be accessed online on IC's website through ic.gc.ca/eic/site/ceb-bhst.nsf/eng/h_tt00084.html.

In normal use, the actual SAR is likely to be much lower, as the device has been designed to emit only the RF energy necessary to transmit a signal to the nearest base station. By automatically emitting lower levels when possible, your device reduces your overall exposure to RF energy.

Industry Canada has granted an IC Certification Number for this model device based on the compliance of all reported SAR levels with the IC RF exposure guidelines. This device has an IC number: 649E-SMJ320A [Model Number: SM-J320W8] and the specific SAR levels for this device can be found at the following Industry Canada website: sms-sgs.ic.gc.ca/equipmentSearch/searchRadioEquipments.

The SAR information for this device can also be found on Samsung's website: www.samsung.com/sar.

IC Notice

This device complies with Industry Canada licence exempt RSS standard(s). Operation is subject to the following two conditions:

1. This device may not cause interference, and
2. This device must accept any interference, including interference that may cause undesired operation of the device.